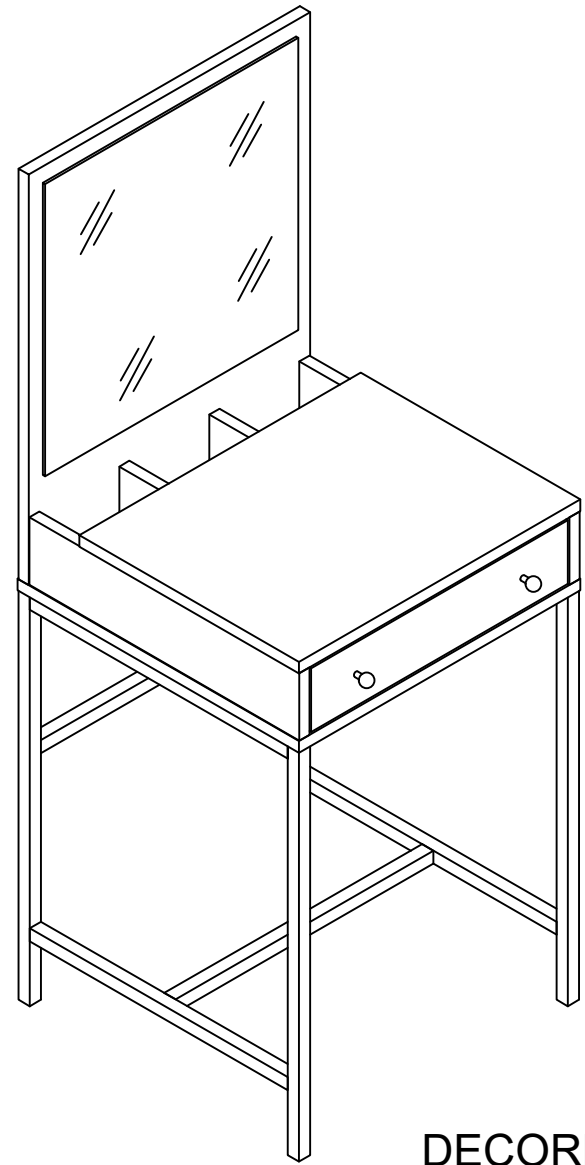
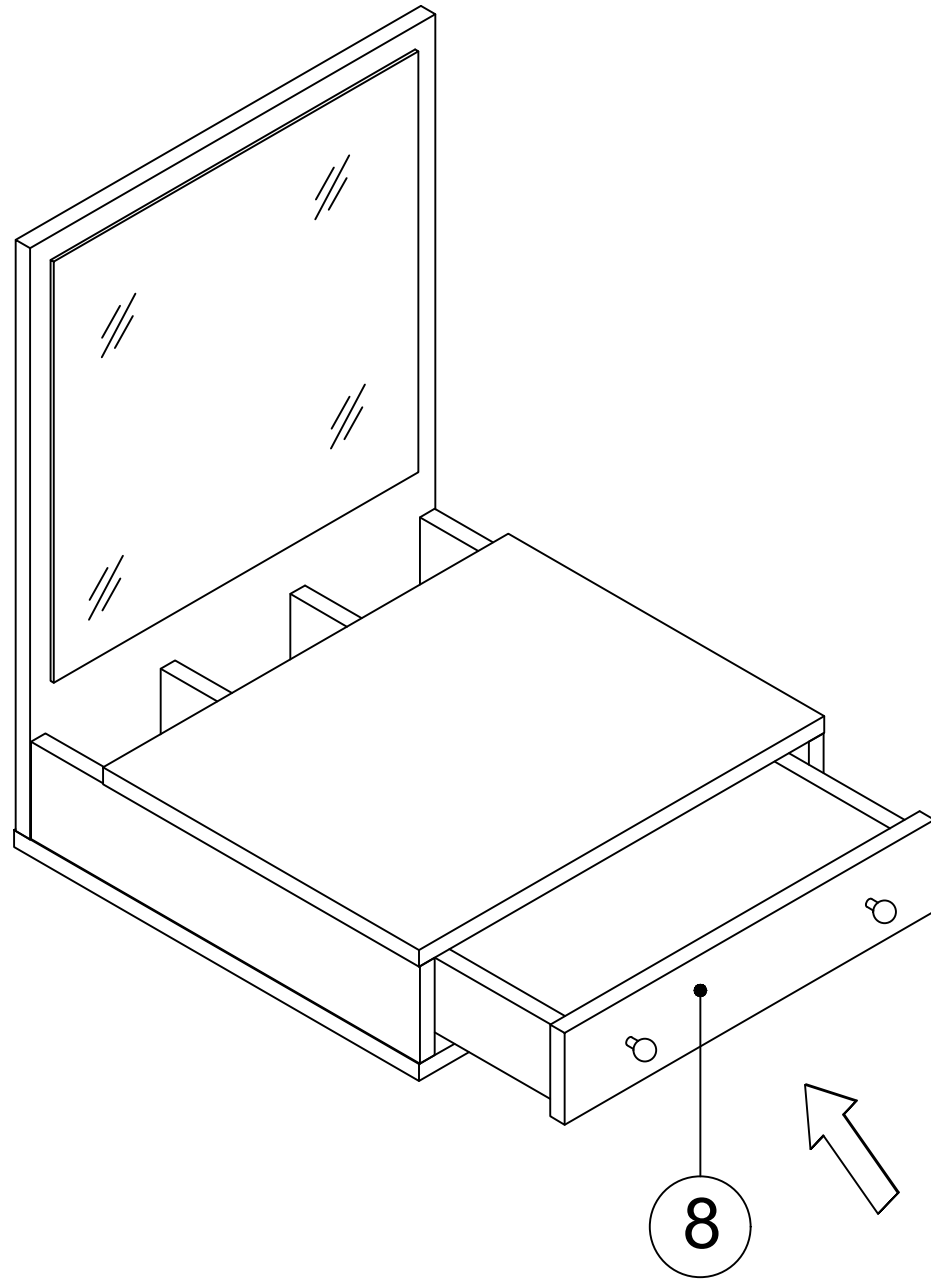
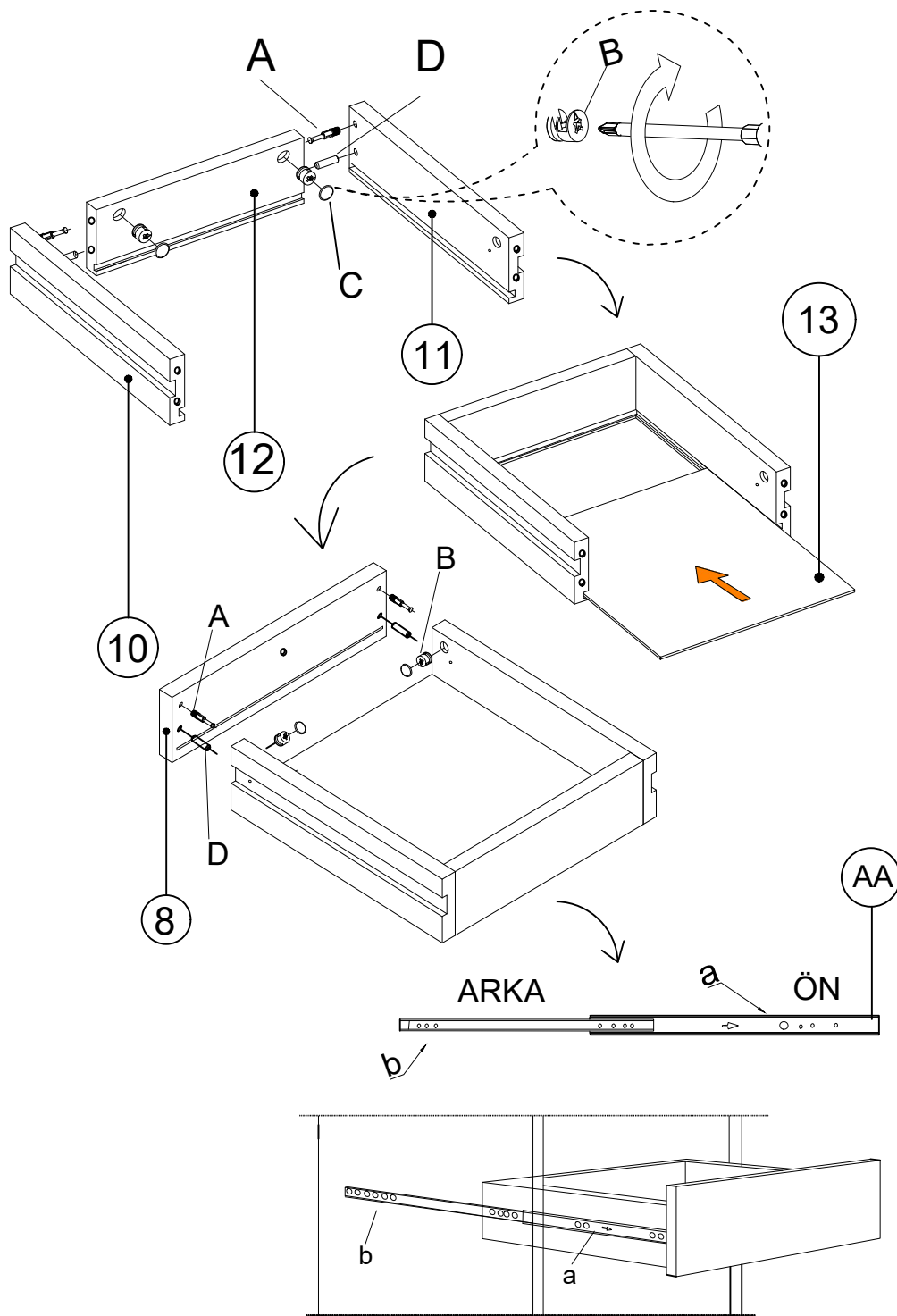


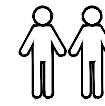
DEC20017 MARY

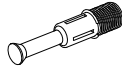

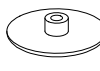







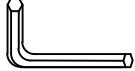

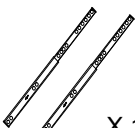
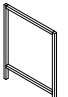

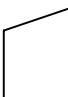


DECORMET



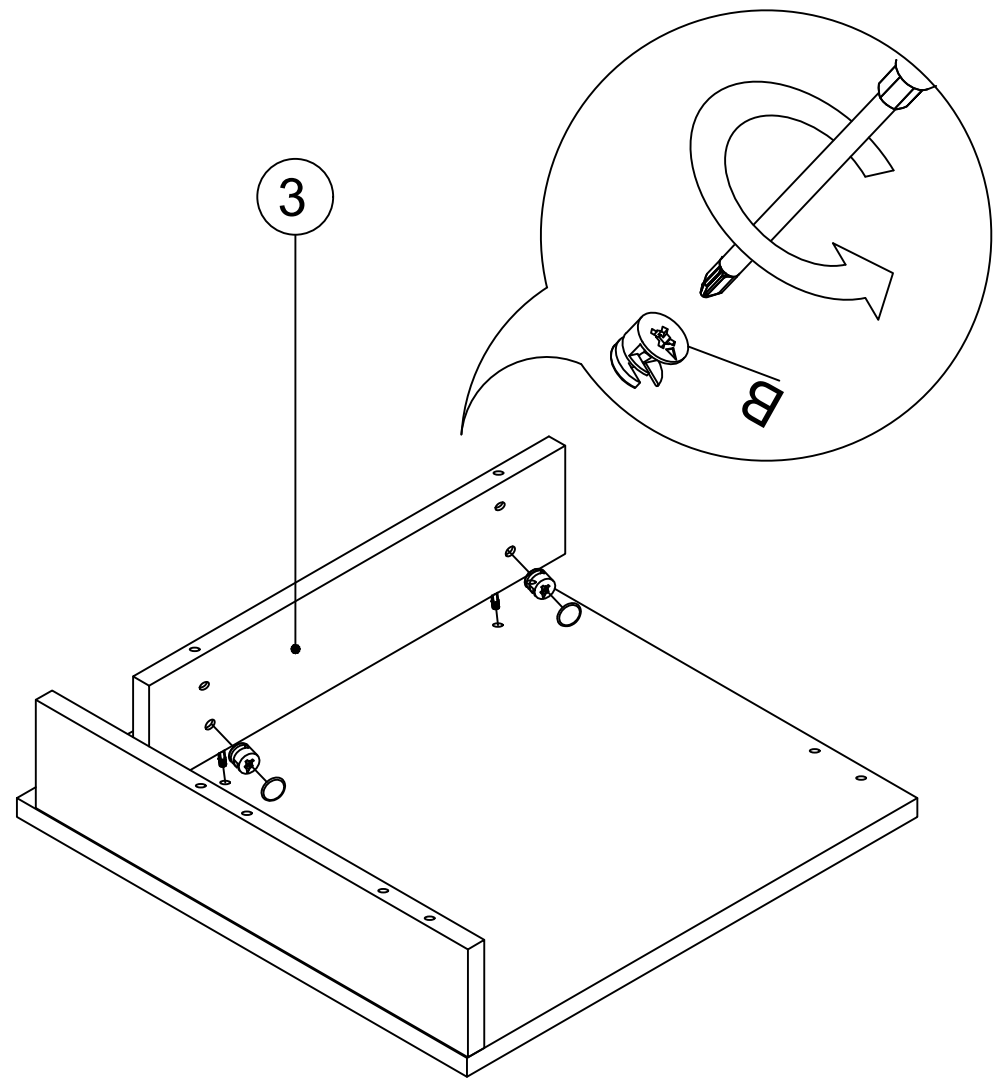
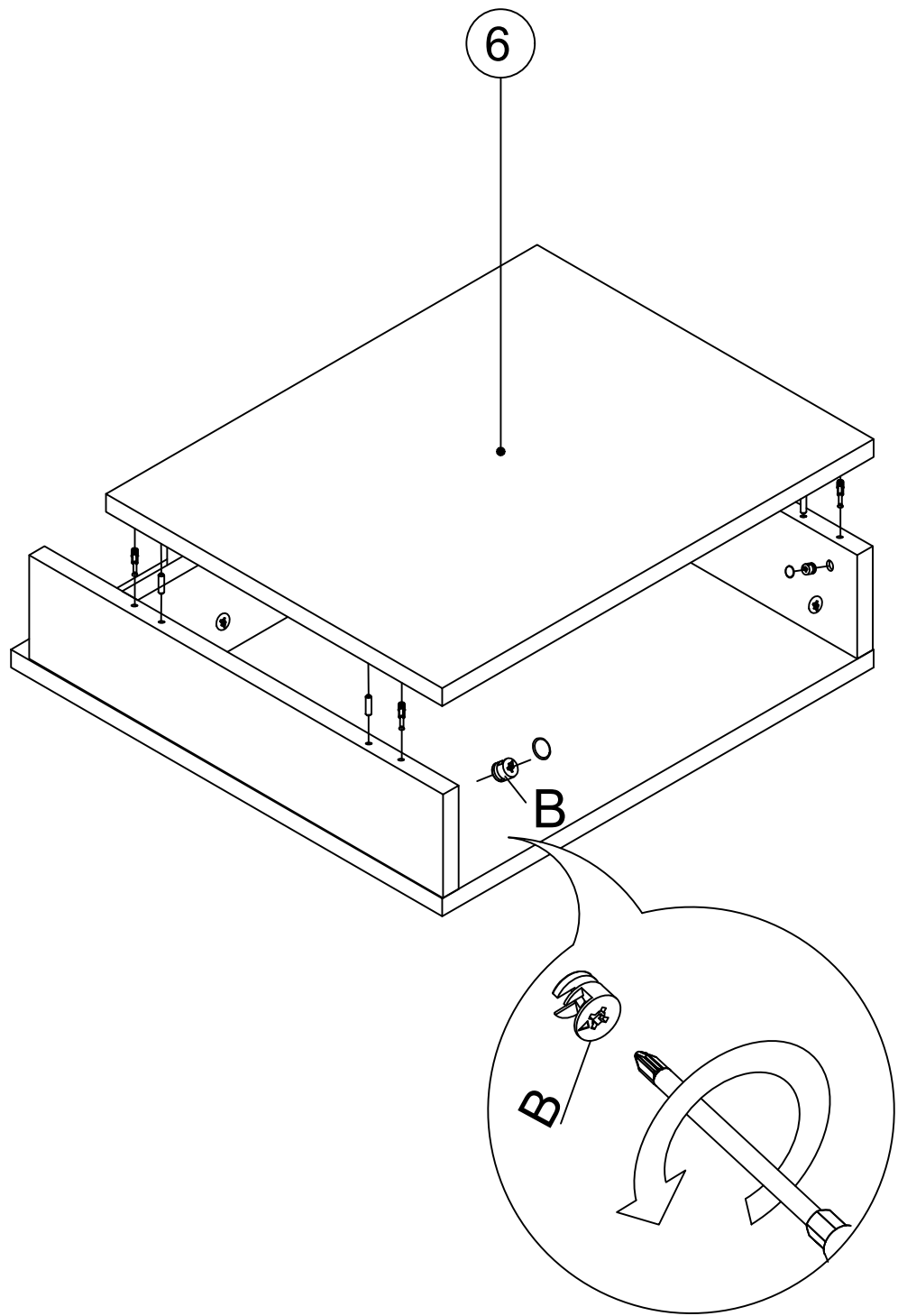
MATERIALS



					
X 17	X 17	X 17	X 14	X 4	X 2
A	B	C	D	E	F
MINIFIX GIB	MINIFIX BODY	MIN.STOPPER	DOWEL	CABINET SCREW	PLUG
					
X 6	X 2	X 8	X 2	X 1	
G	H (M4x15)	N	O	P	
3,5 x 18 SCREW	DRAWER SCREW	METRIC SCREW	HANDLE SCREW	ALLEN KEY	
					
X 2	X 1	X 2	X 2	X 1	
R	Z	AT	BB	BM	
HANDLE	342MM DRAWER	METAL LEG	METAL LEG PART	MIRROR	

DEC20017 MARY

NO	NAME	PIECE	NO	İSİM	MİKTAR
1	BOTTOM PART	1 PC	1	ALT TABLA	1 Adet
2	LEFT PART	1 PC	2	SOL YAN	1 Adet
3	REAR TABLE	1 PC	3	ARKA TABLA	1 Adet
4	RIGHT SIDE	1 PC	4	SAĞ YAN	1 Adet
5	CHAMBER	2 PCS	5	PARAVAN DİKMELER	2 Adet
6	TOP TABLE	1 PC	6	ÜST TABLA	1 Adet
7	MIRROR PANEL	1 PC	7	AYNA TABLASI	1 Adet
8	DRAVER FRONT	1 PC	8	ÇEKMECE ÖNÜ	1 Adet
9	METAL PART	1 PC	9	METAL PARÇA	1 Adet
10	DRAWER LEFT SIDE PART	1 PC	10	ÇEKMECE SOL YANI	1 Adet
11	DRAWER RIGHT SIDE PART	1 PC	11	ÇEKMECE SAĞ YANI	1 Adet
12	DRAWER BACK PART	1 PC	12	ÇEKMECE ARKASI	1 Adet
13	DRAWER / BOTTOM PART	1 PC	13	ÇEKMECE ALT PARÇASI	1 Adet



DEC20017 MARY

